



# ***PLAYBASE ASSEMBLY MANUAL***



# **BERG**



**WELCOME  
TO OUR  
WORLD**

**IT'S YOUR  
NOW**

**ME**

**S**

***HI BERGER*** This BERG will make you jump, ride and fly the outdoors. With fresh air in your hair and this BERG at your side, you feel strong wherever you fly. Feel confident, even when the road ahead is bumpy. Feel at home, the moment you step outside. Because you know the sky is yours. And you are about to touch it.

# **REGISTER YOUR BERG**



Register your new BERG product now, unlock free extras and become a true BERGER via [BERGtoys.com/registration](https://BERGtoys.com/registration)

## **CONTENT**

**What is in the box?** 4  
*Make sure you have everything.*

**How to install it?** 9  
*Follow the steps, easy as that.*

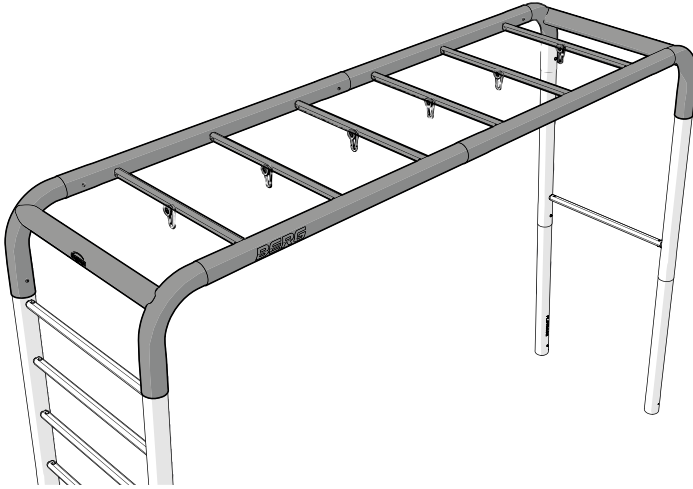
**Ready to go!**  
*The outdoors is yours. Enjoy it.*

Although we know you can do it yourself, please read the manual carefully and check out our instruction videos on [YouTube.com/BERGtoys](https://YouTube.com/BERGtoys)



# UNPACKING

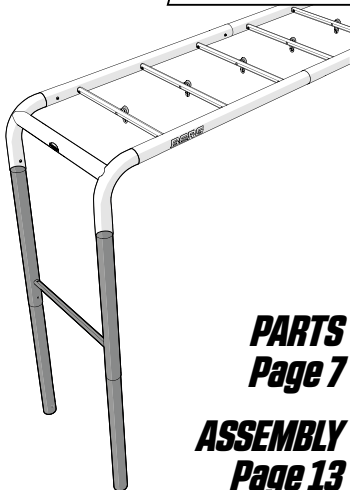
## TOP FRAME



**PARTS**  
Page 5&6

**ASSEMBLY**  
Page 9-12

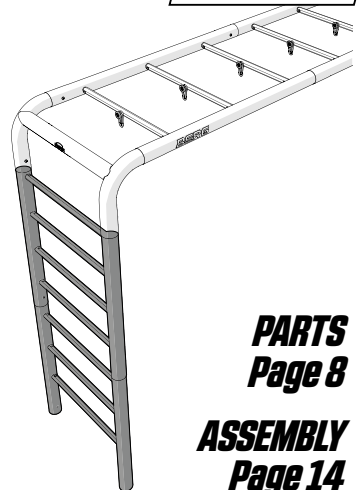
## TUMBLE



**PARTS**  
Page 7

**ASSEMBLY**  
Page 13

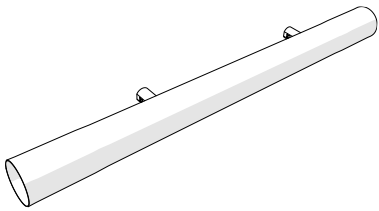
## LADDER



**PARTS**  
Page 8

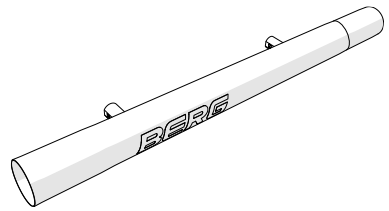
**ASSEMBLY**  
Page 14

**20.10.00.00** **MEDIUM**



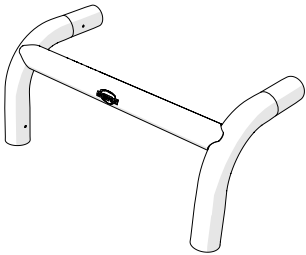
**12**

2x



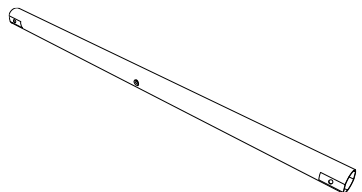
**13**

2x



**3**

2x



**4**

4x



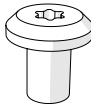
**5**

10x



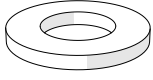
**6**

8x



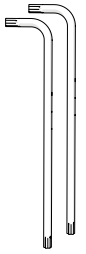
**7**

8x

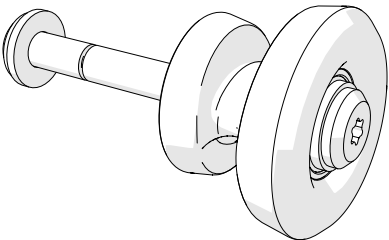


**8**

26x

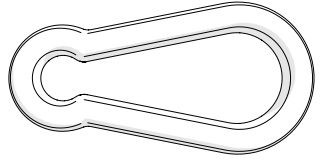


**9**



**10**

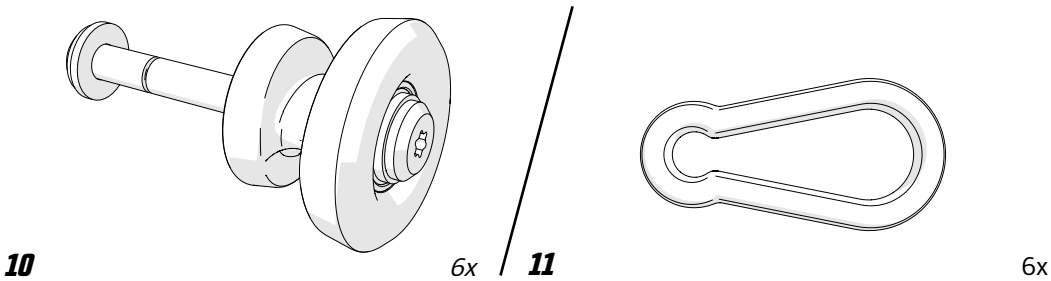
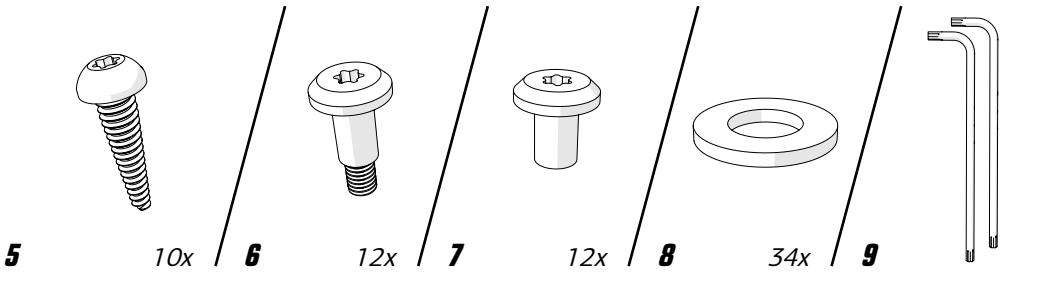
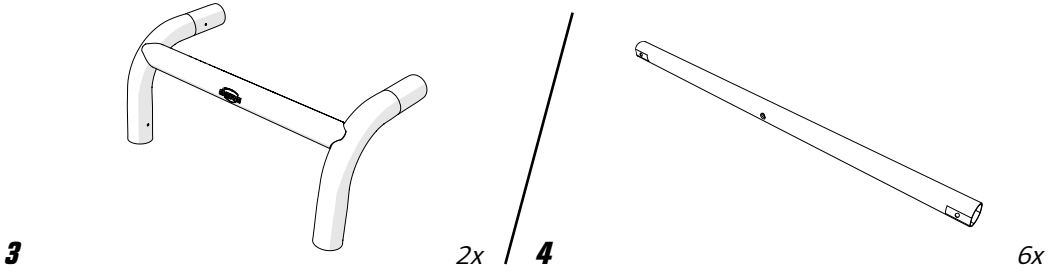
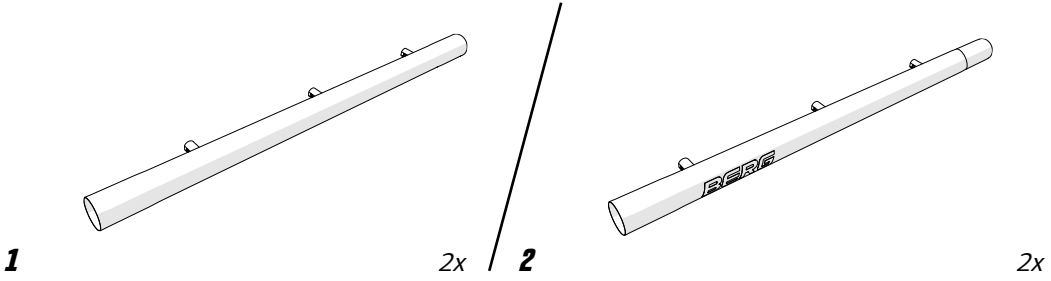
4x



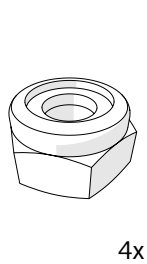
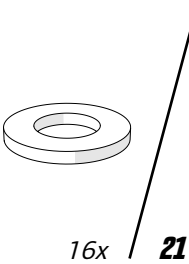
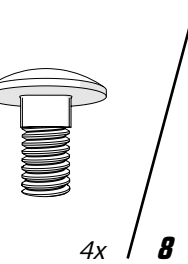
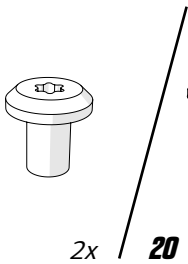
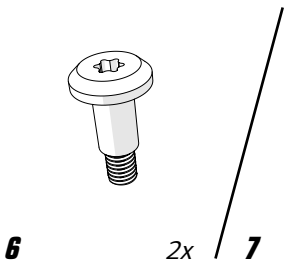
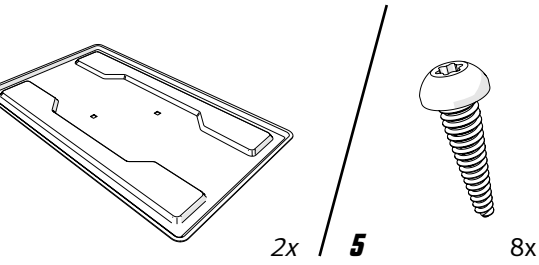
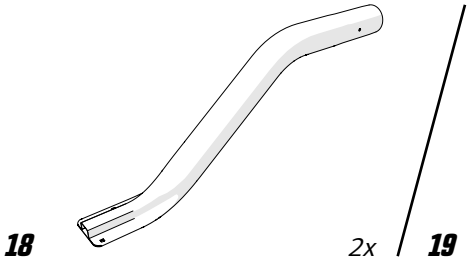
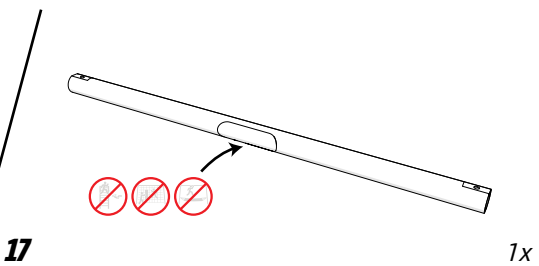
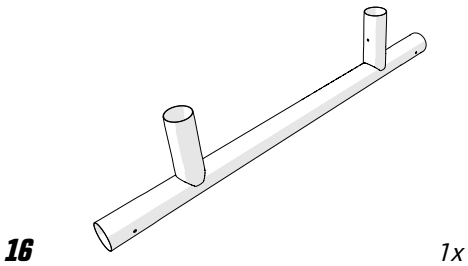
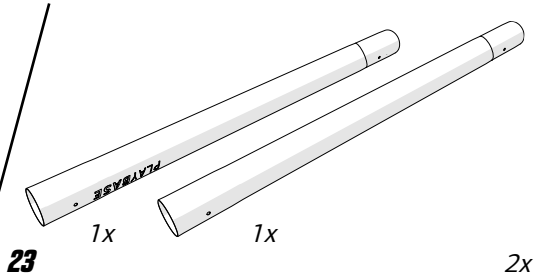
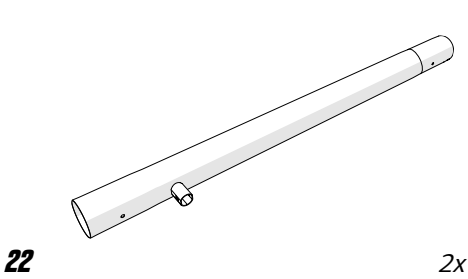
**11**

4x

**20.10.01.00** **LARGE**



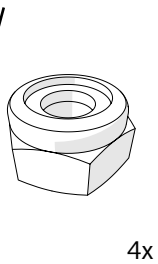
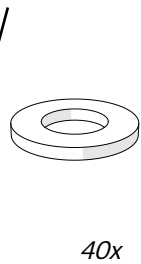
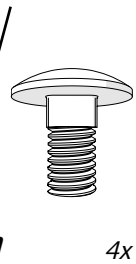
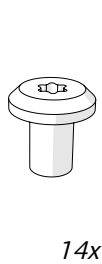
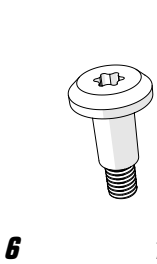
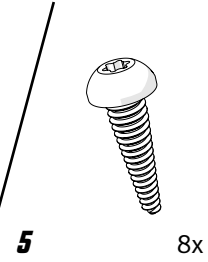
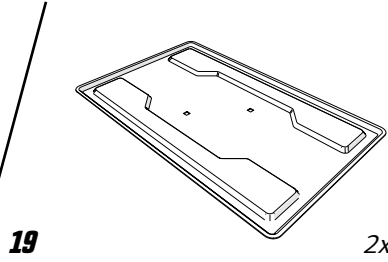
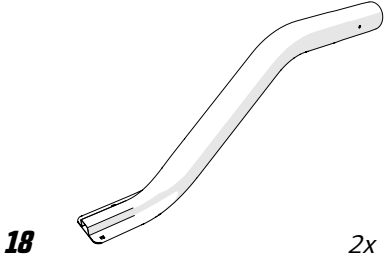
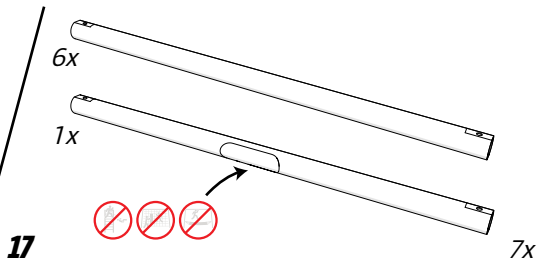
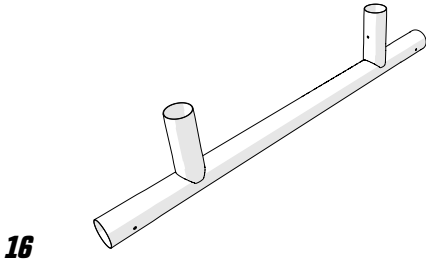
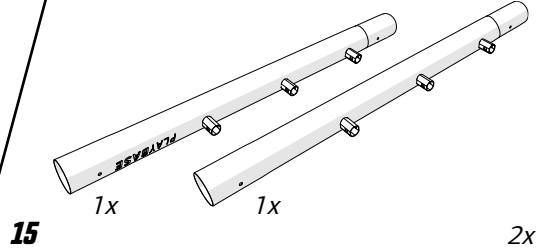
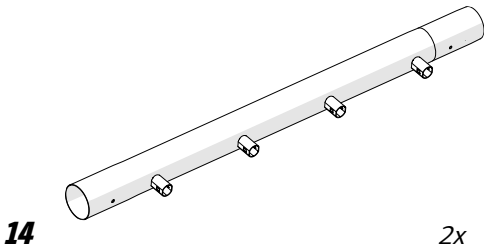
**20.11.00.00 TUMBLE**





**20.11.01.00**

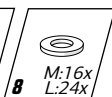
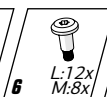
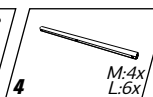
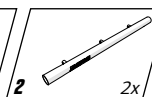
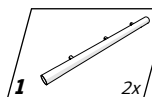
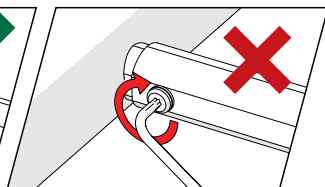
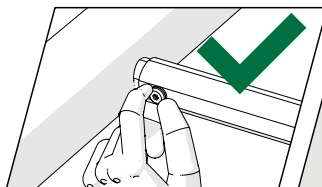
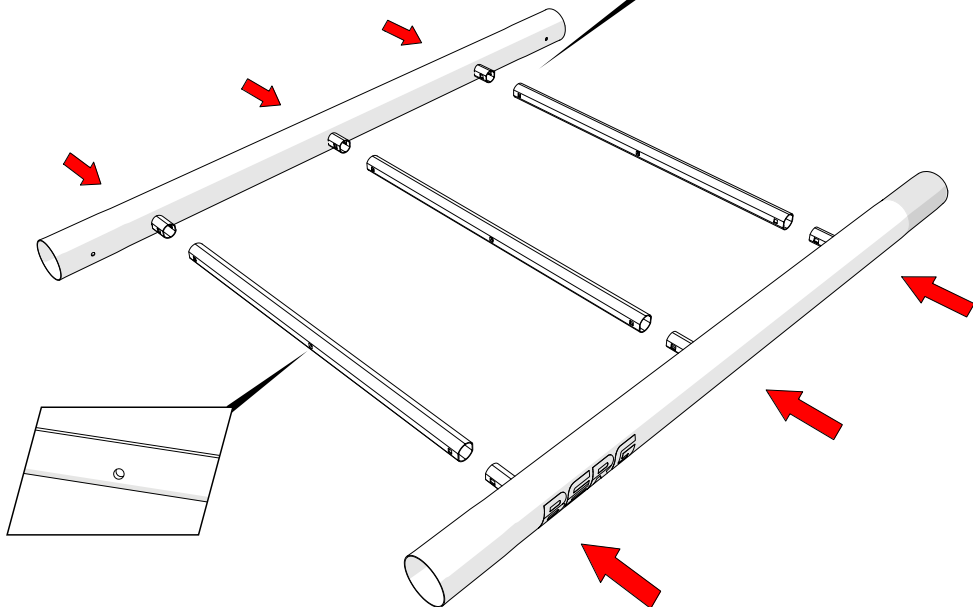
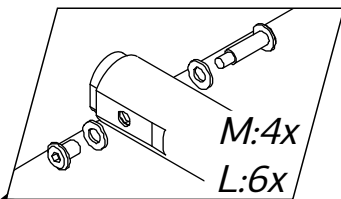
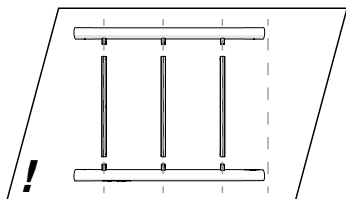
**LADDER**



# INSTALLATION

1

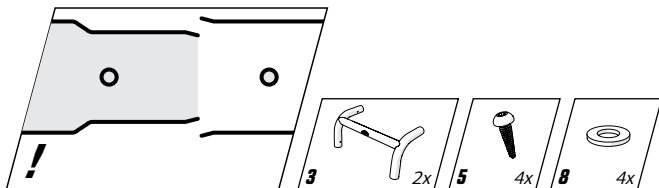
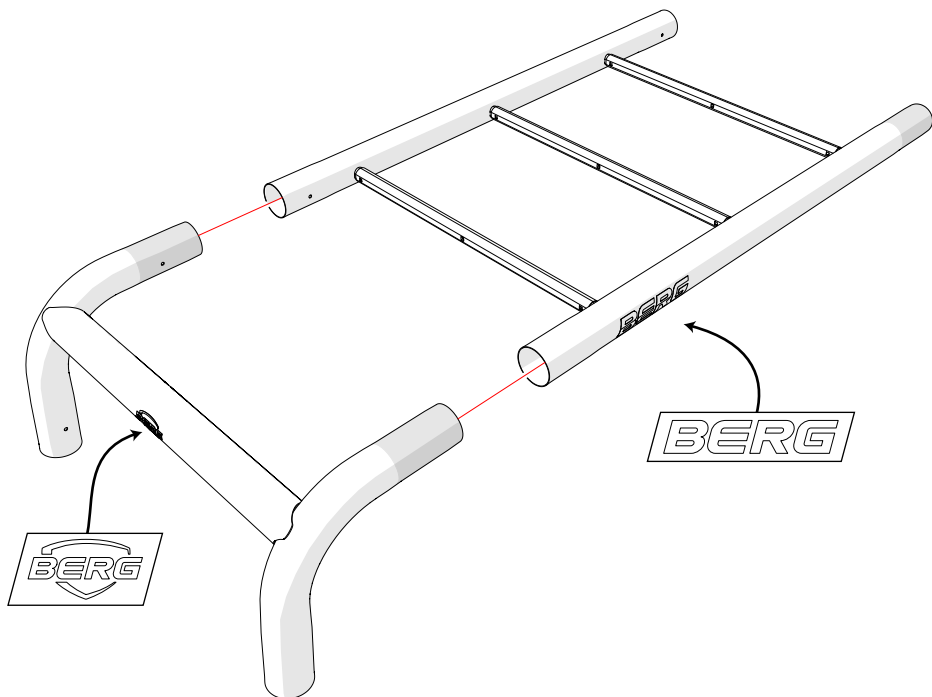
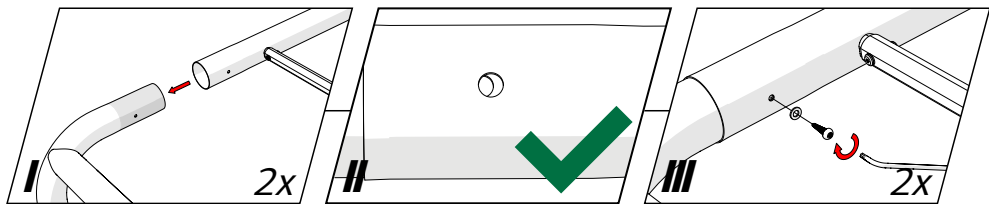
TOP FRAME 2x



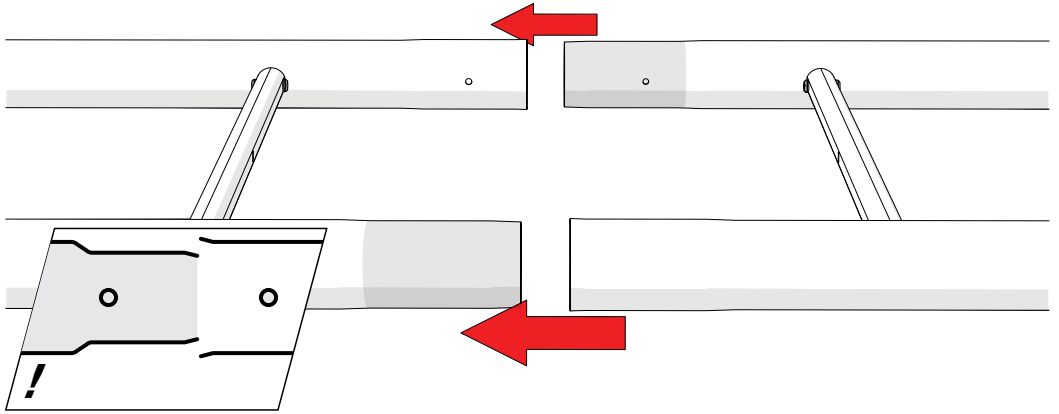
# ION

2

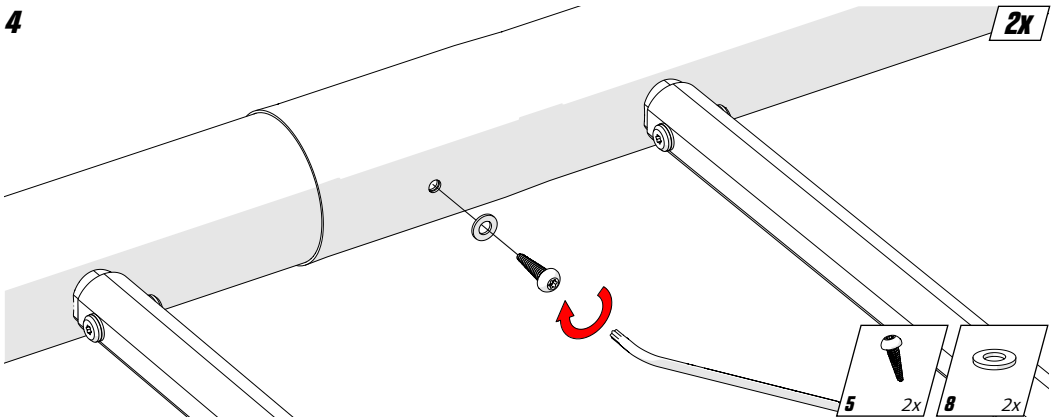
2x



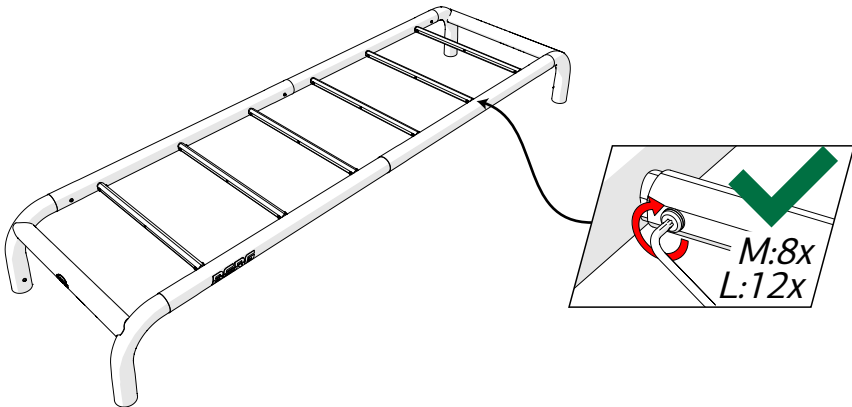
**3**



**4**

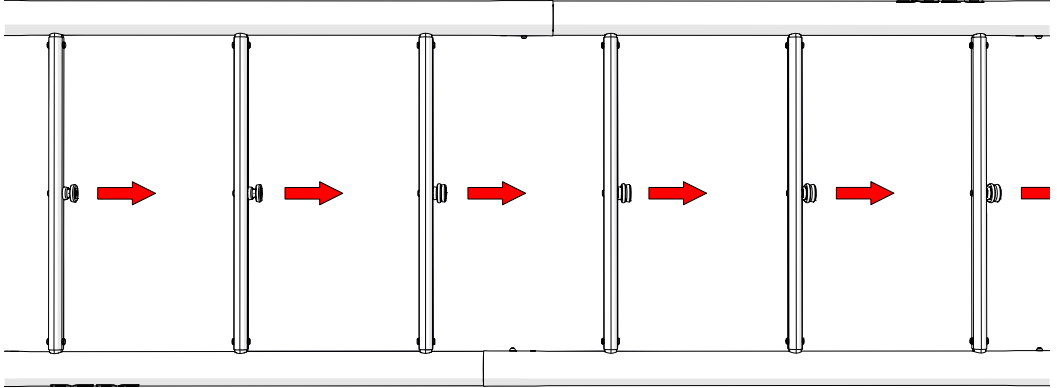
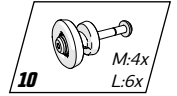
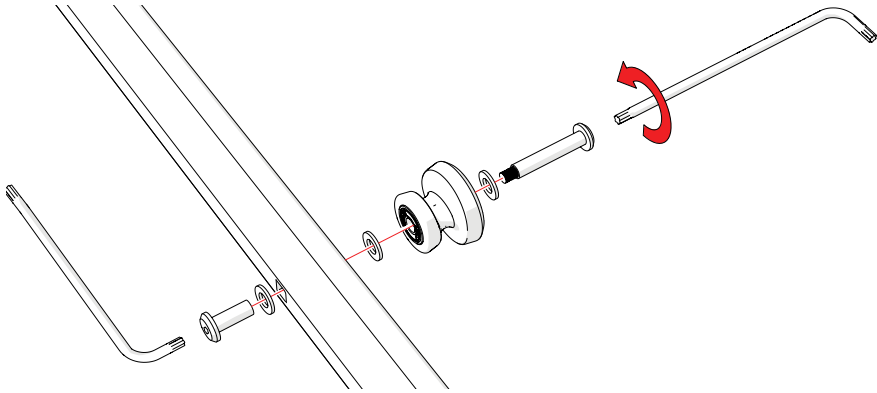


**5**

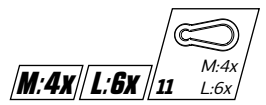
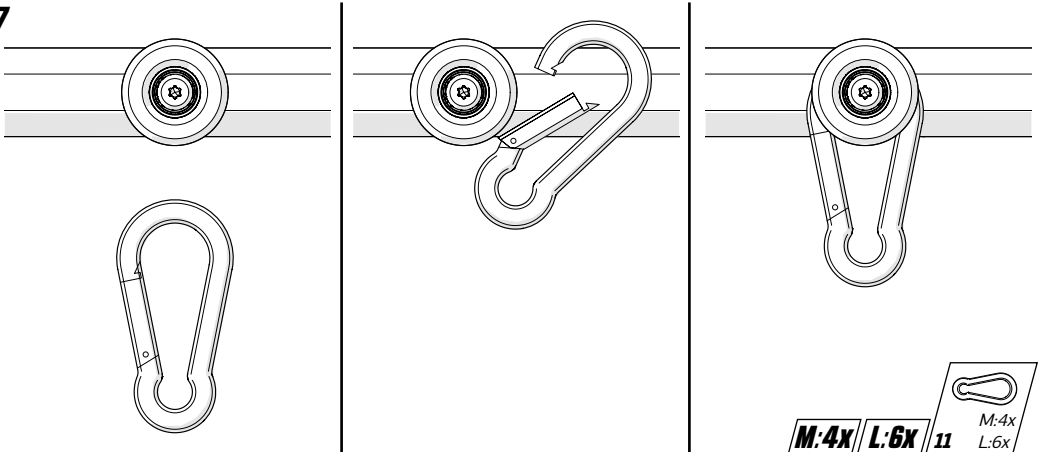


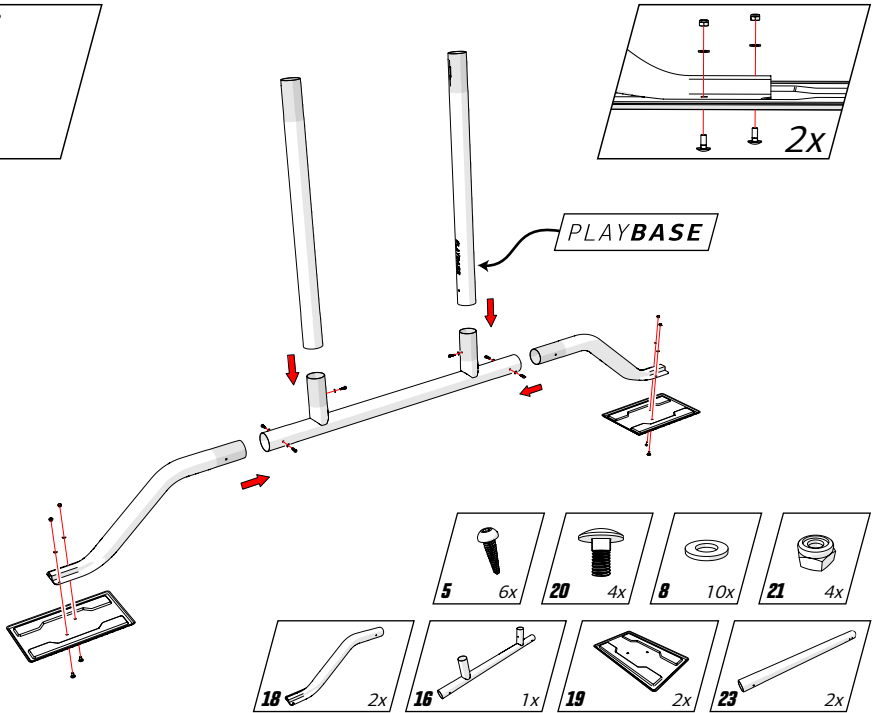
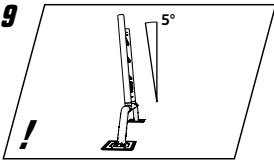
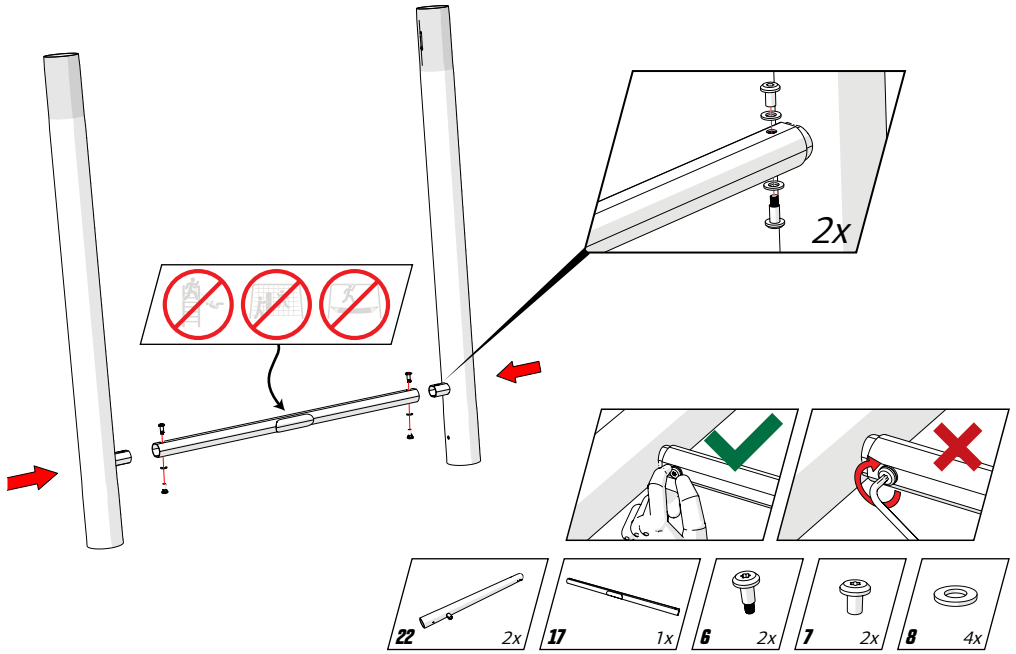
6

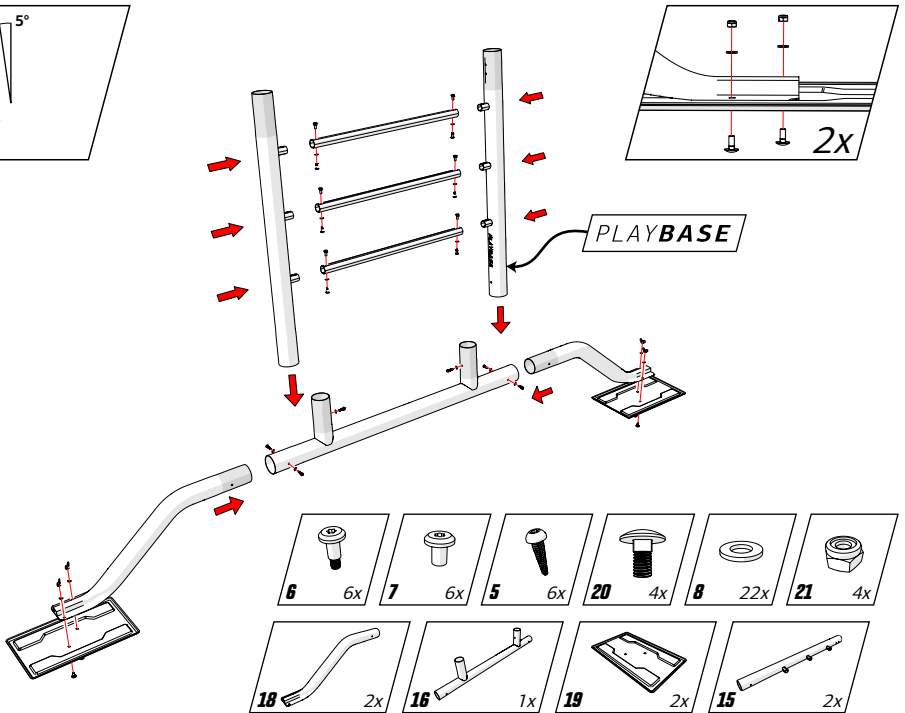
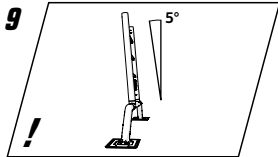
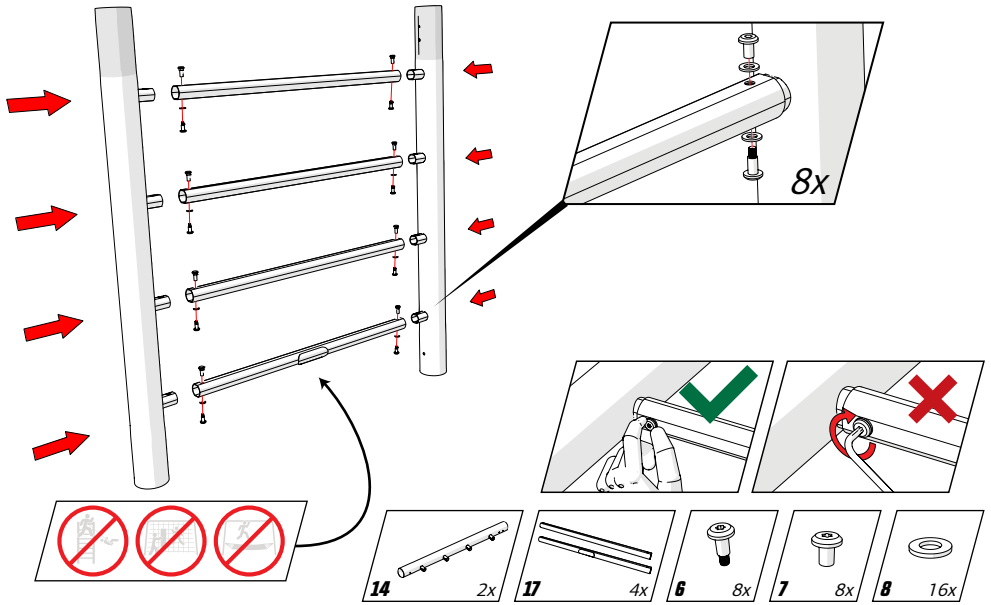
M:4x L:6x

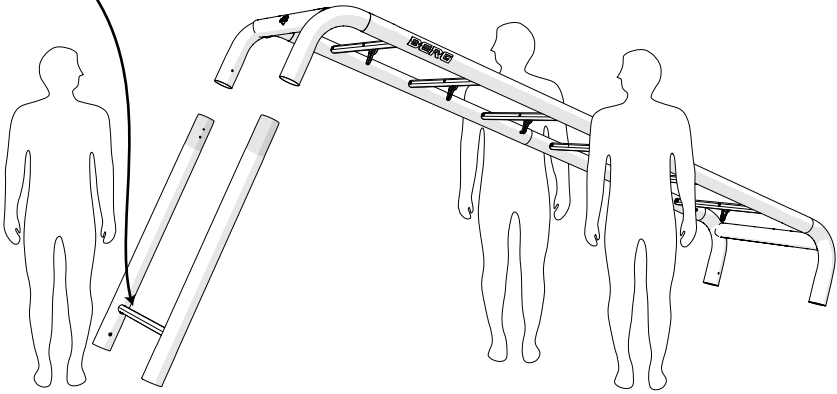
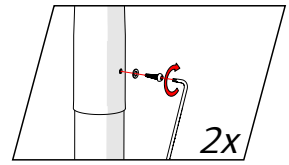


7









Make sure the warnings are facing outwards. **EN**

Zorg ervoor dat de waarschuwingen naar buiten gericht zijn. **NL**

Achten Sie darauf, dass die Warnhinweise nach außen gerichtet sind. **DE**

Assurez-vous que les avertissements sont bien lisibles de l'extérieur. **FR**

Asegúrate de que las advertencias estén orientadas hacia afuera. **ES**

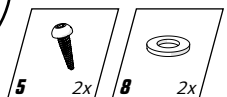
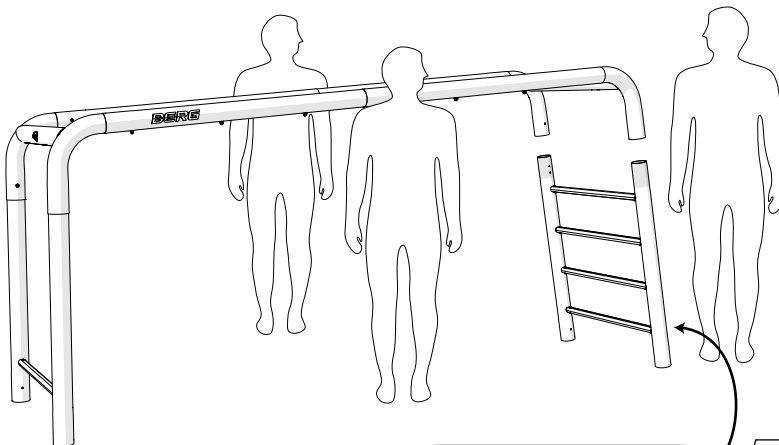
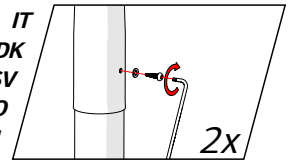
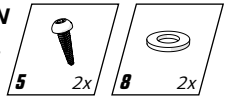
Accertati che gli avvisi siano rivolti verso l'esterno. **IT**

Sørg for, at advarslerne vender udad. **DK**

Se till att varningarna är på utsidan. **SV**

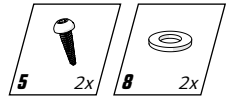
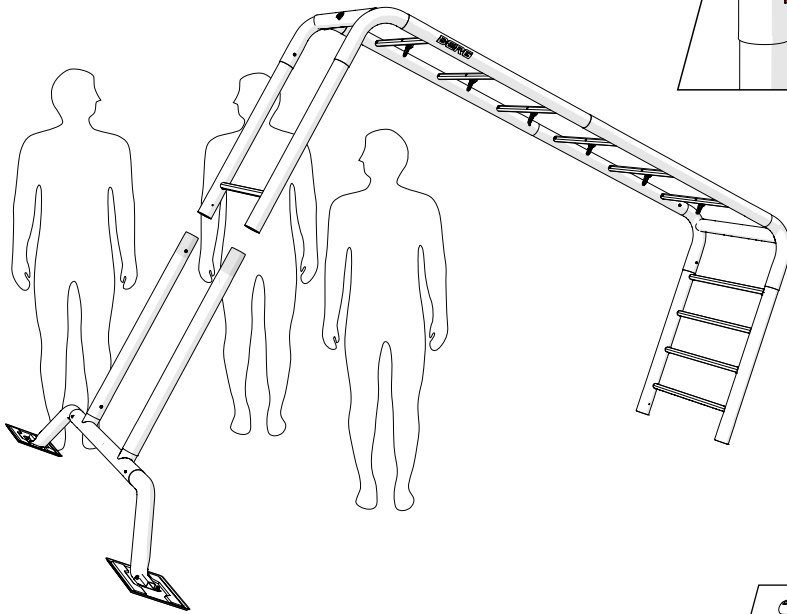
Sørg for at advarslerne vender utover. **NO**

Varmista, että varoitukset ovat ulospäin. **FI**

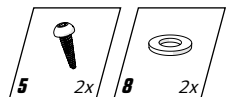
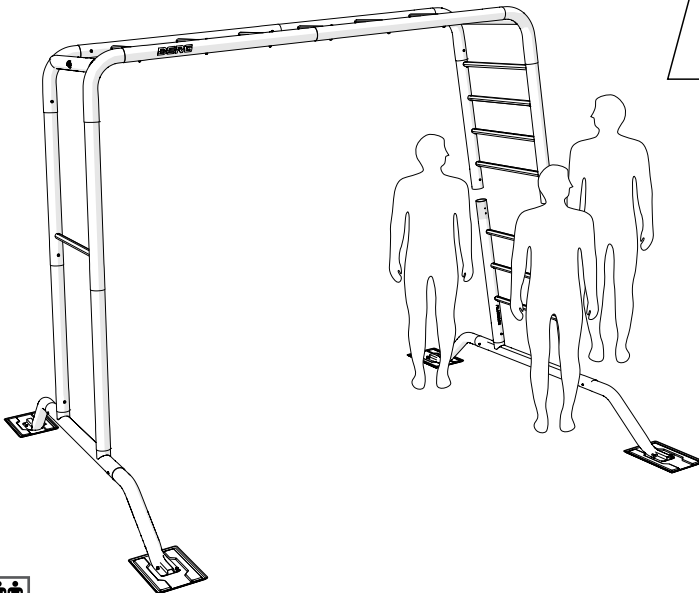


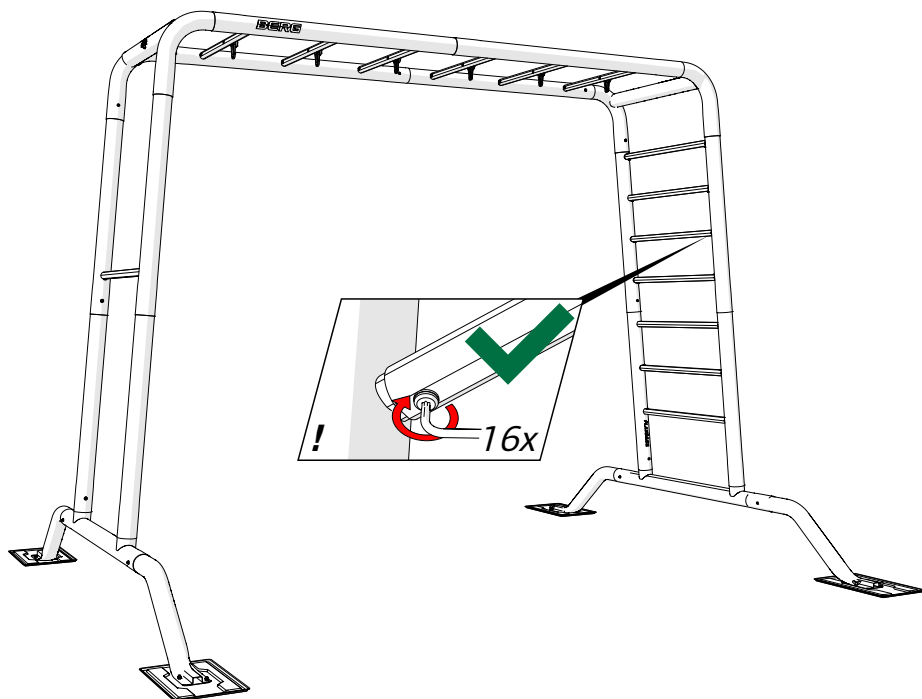


12

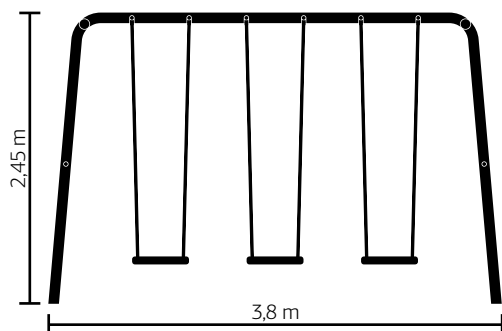
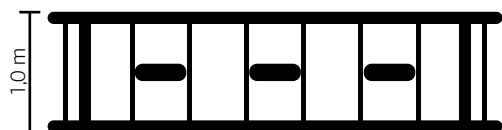


13

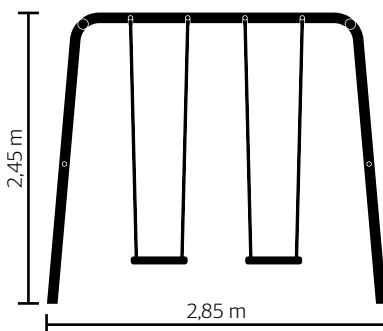
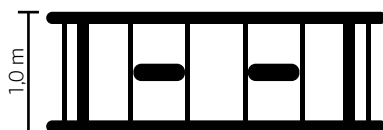


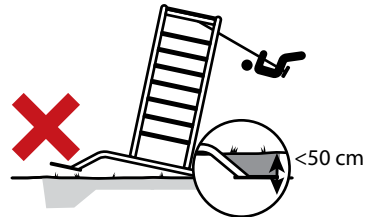
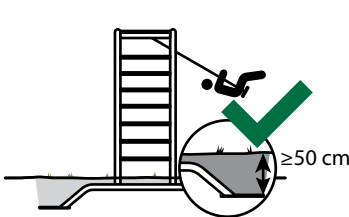
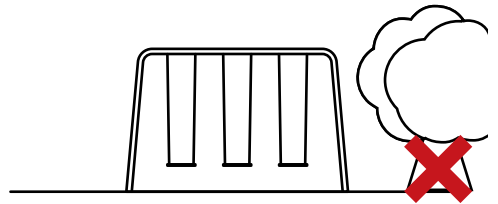
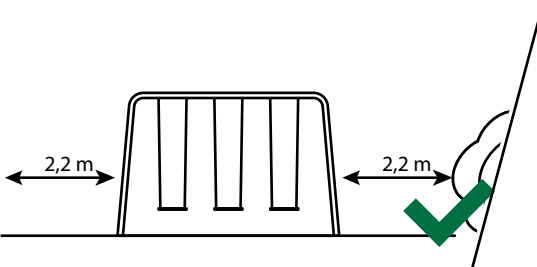
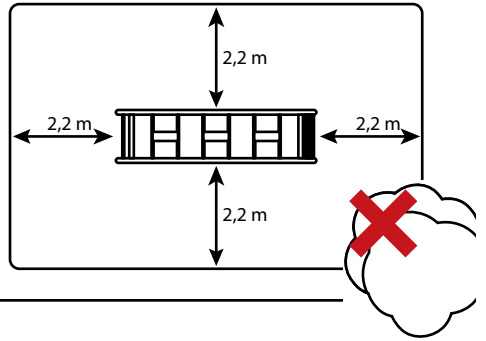
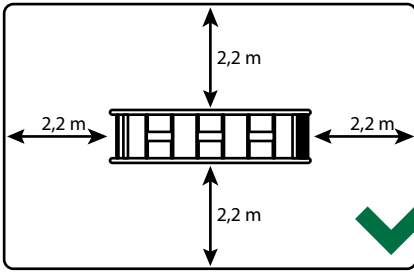
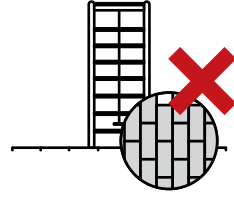
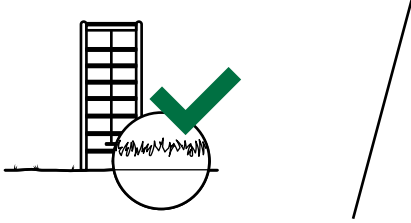
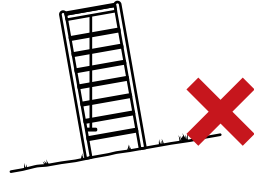
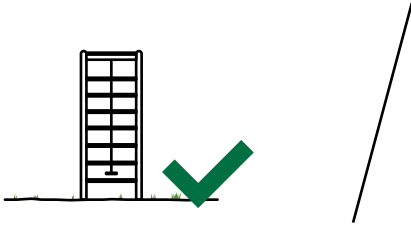


Large

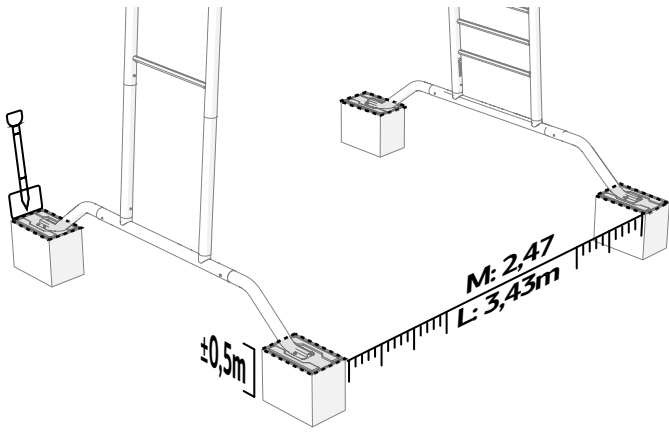


Medium

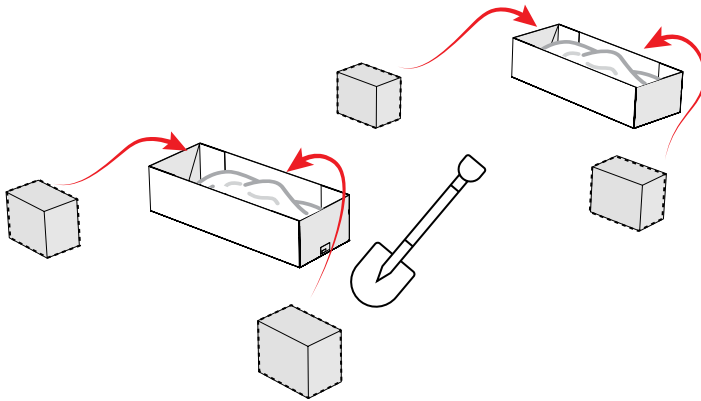




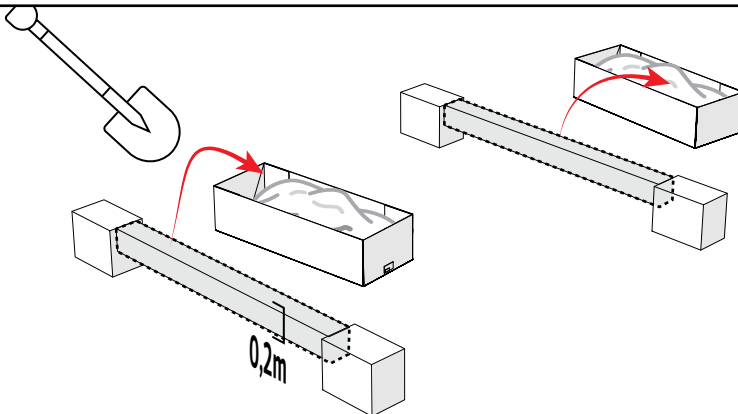
16

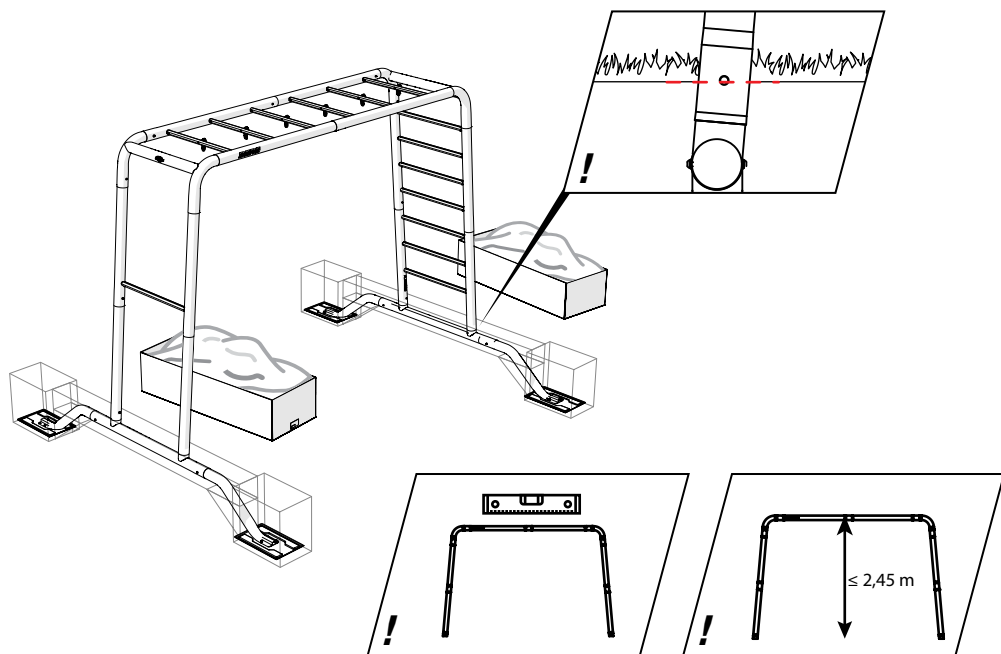
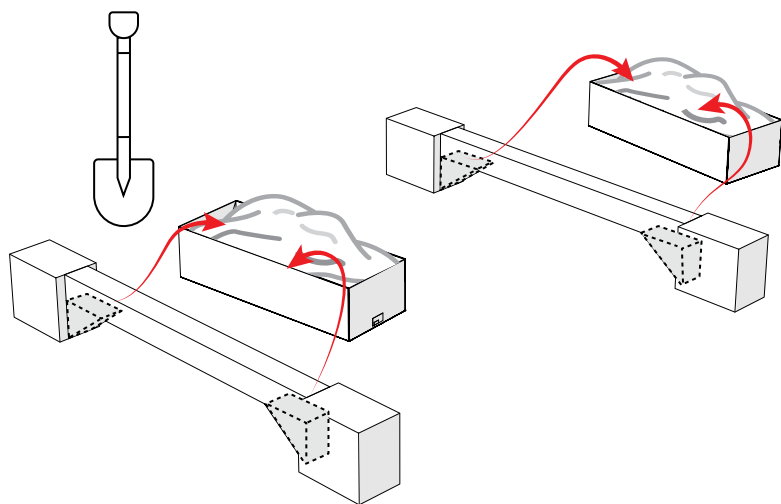


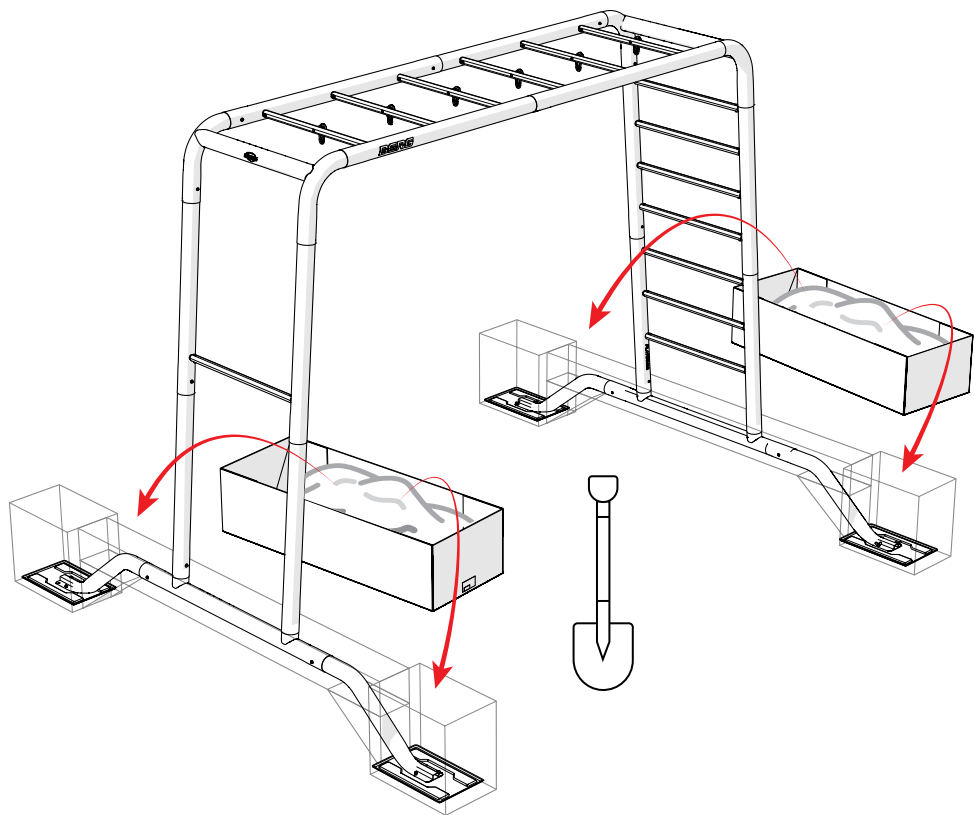
17



18











*www.bergtoys.com*

Rev: 00

Place Batch Number Sticker Here